





Celeste is a clean minimalist pendant featuring an elegant artisanal casted glass disc. Vertical stems passing through the light fixture create a visual continuity with the cable, accentuated by glowing glass disc to create a striking effect





Products shown: 10x Custom Array Celeste - 5 cables  
Confidential Client  
Massachusetts, USA  
© Shelly Harrison Photography



The integrated connector allows individual Celeste heads to be connected to one another in a vertical pattern, allowing for large impressive installations or smaller elegant clusters

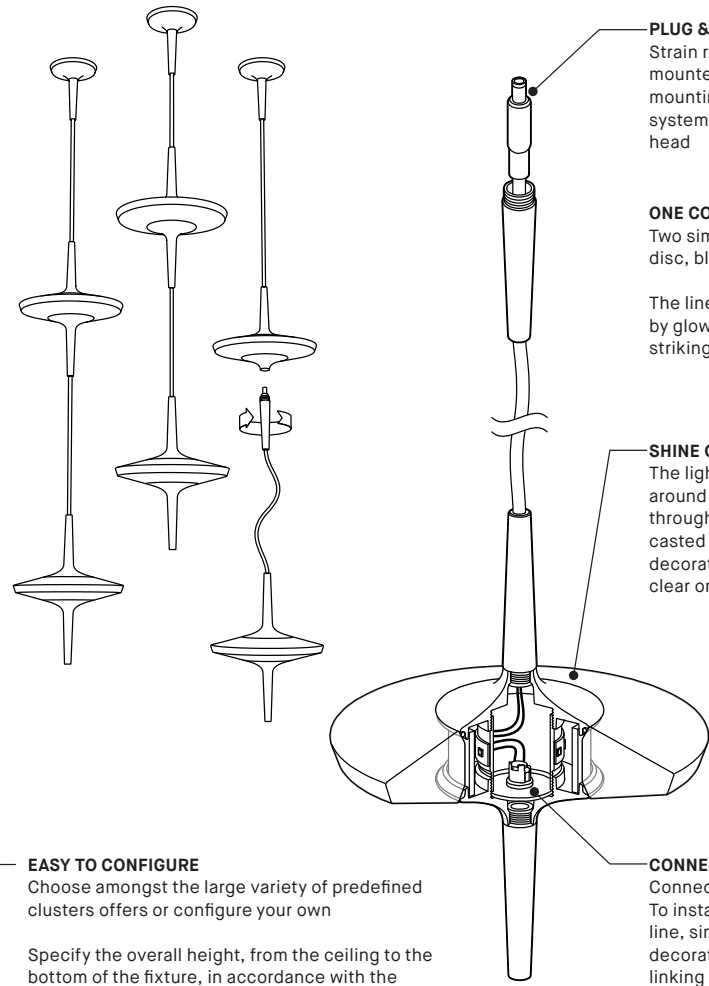


Products shown: 10x Custom Array Celeste  
Confidential Client  
Massachusetts, USA  
© Shelly Harrison Photography



Products shown: 3x Drop Celeste 618M  
Alberta Bair Theater  
Billings, Montana, USA  
© Nathan Satran

# TECHNICAL DATA



**PLUG & PLAY**  
Strain relief, with an integrated cable mounted connector. Allows for quick mounting to one of the multiple canopy systems offered or another Celeste head

**ONE CONTINUOUS LINE**  
Two simple elements, a line and a disc, blended into a seamless design

The linear continuity is accentuated by glowing discs of glass for a striking visual effect

**SHINE ON**  
The light from the LED strip wrapped around the product's core is blended through a PMMA diffuser and a artisan casted glass disc for a beautiful, decorative shine. Glass disc offered in clear or frosted finish

**CONNECT THE LINES**  
Connector hidden within the core. To install additional fixtures along the line, simply remove the lower decorative stem and replace it by linking another head

**EASY TO CONFIGURE**  
Choose amongst the large variety of predefined clusters offers or configure your own

Specify the overall height, from the ceiling to the bottom of the fixture, in accordance with the configuration's minimum height and we'll take care of the rest

## CELESTE SYSTEMS

**DROPLET CELESTE 2447-CEL**  
Remote junction box option  
Offered with 1, 3, 5, or 6 connector mounted mini canopies

**DROPLET CELESTE 2448-CEL**  
Octagonal junction box mounting  
Offered with 1 connector mounted mini canopy and decorative plate covering the junction box

**ARRAY CELESTE 4425-CEL**  
Offered with 3 or 5 connectors

**DROP CELESTE 4427-CEL**  
Offered with 3 or 6 connectors

**CELESTE 4010-CEL**  
Extra head accessory light source  
Requires a Celeste system (sold separately)

PRODUCT SPECIFICATION	XXX-CEL-CLR	XXX-CEL-FRO
<b>PERFORMANCE</b>		
WATTAGE PER HEAD	3.8W	3.8W
DELIVERED LUMENS PER HEAD (4000K)	200 LM	235LM
<b>OTHER INFORMATIONS</b>		
LUMINAIRE'S WEIGHT	2.2LBS / 1KG	2.2LBS / 1KG
MAXIMUM HEADS PER CABLE	6 HEADS	6 HEADS
MAXIMUM HEADS ON SYSTEM	20 HEADS	20 HEADS
L70 (LUMEN MAINTENANCE)	> 60 000 HRS	> 60 000 HRS
<b>WELL &amp; LEED STANDARD REQUIREMENTS</b>		
MAX. LUMINANCE 45°-90° OF NADIR	799 CD/M <sup>2</sup> (CLR GLASS)	
LIGHT QUALITY	R9 > 50 (90 CRI OPTION)	
FLICKERING TOLERANCE	LOW FLICKER, COMPLIANT TO CALIFORNIA TITLE 24	

EFFICACY MULTIPLIERS			LIGHT DISTRIBUTION	
CRI	CCT	FACTOR	4010-CEL-CLR	4010-CEL-FRO
80	4000K	N/A		
80	3500K	N/A		
80	3000K	N/A		
80	2700K	N/A		
90	4000K	1.00		
90	3500K	0.95		
90	3000K	0.90		
90	2700K	0.87		



Visit our website for warranty terms and conditions.

Products shown: 6x Droplet Celeste  
Dakota Dunes Resort Hotel  
Whitecap Dakota Unceded Territory, Saskatchewan, Canada  
© King rose visuals





# PHOTOMETRIC REPORT

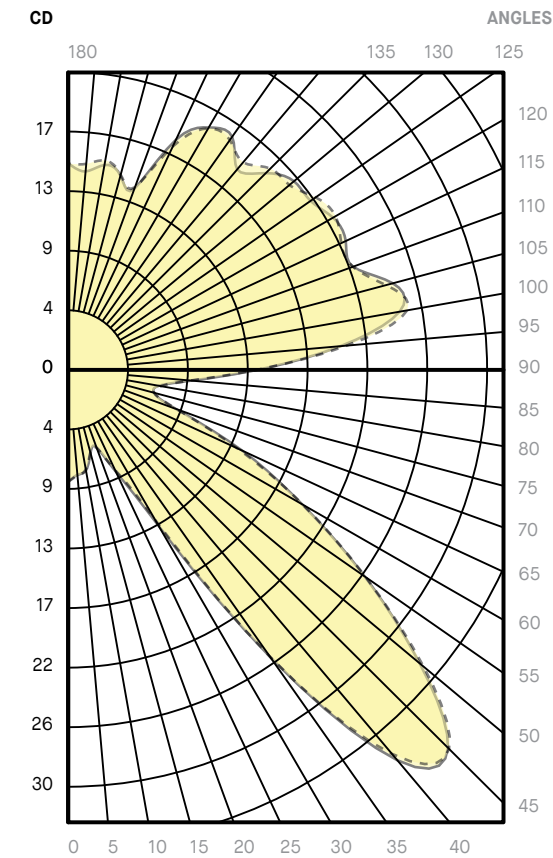
## 4010-CEL-CLR

CCT (K): 4000  
 Delivered Lumens (lm): 200  
 System wattage (W)\*: 3.6  
 Distribution: Direct / Indirect  
 Delivered Efficacy (lm/W): 55.56  
 Photometric type: C

Luminous dimensions  
 Luminous shape: Rectangle  
 Units: in (mm)  
 0-180 Axis: 7.9 (200)  
 90-270 Axis: 7.9 (200)  
 Height: 7.9 (200)

Luminaire spacing criteria  
 2 luminaires, plane 0: 3.17  
 2 luminaires, plane 90: 3.17  
 4 luminaires: 2.69

\*System wattage include driver and LED module consumption  
 Value shown per head



This photometric report has been generated using methods recommended by the IESNA. Calculations are based on simulated photometric data and can change without notice. End-user environment and application (including, but not limited to, voltage variation and dirt accumulation) can cause actual photometric performance to differ from the performance calculated using the data provided by the manufacturer. In no event will Eureka Lighting be responsible for any loss resulting from any use of this report.

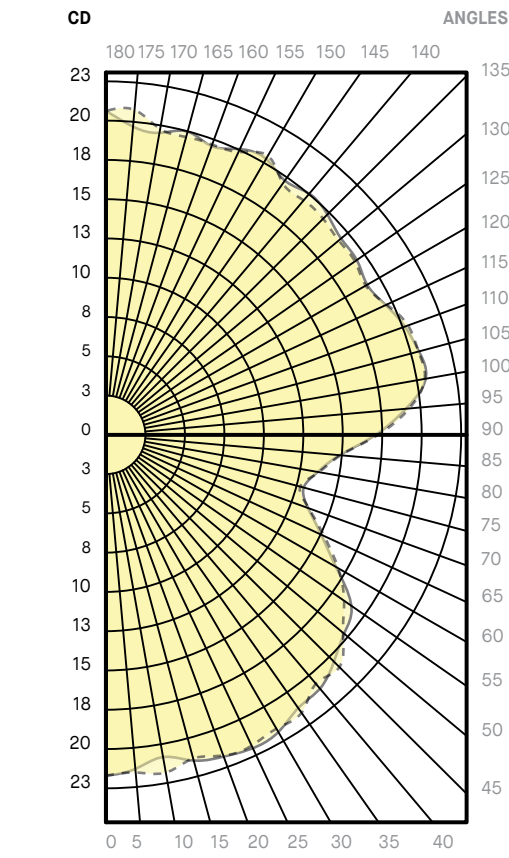
## 4010-CEL-FRO

CCT (K): 4000  
 Delivered Lumens (lm): 235  
 System wattage (W)\*: 3.6  
 Distribution: Direct / Indirect  
 Delivered Efficacy (lm/W): 65.28  
 Photometric type: C

Luminous dimensions  
 Luminous shape: Rectangle  
 Units: in (mm)  
 0-180 Axis: 7.9 (200)  
 90-270 Axis: 7.9 (200)  
 Height: 7.9 (200)

Luminaire spacing criteria  
 2 luminaires, plane 0: 1.55  
 2 luminaires, plane 90: 1.55  
 4 luminaires: 1.69

\*System wattage include driver and LED module consumption  
 Value shown per head



# DROPLET CELESTE 2447-CEL REMOTE JUNCTION BOX SYSTEM

PROJECT PROJÉT
SPEC TYPE
NOTES

## CANOPY FINISH FINI PAVILLON



BLKE

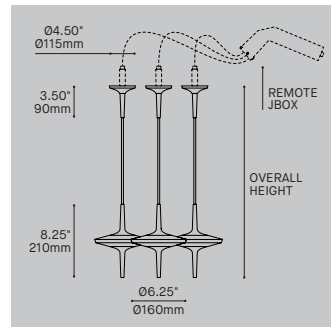
## GLASS FINISH FINI VERRE



CLR

FRO

## REMOTE JUNCTION BOX BOÎTE DE JONCTION ÉLOIGNÉE



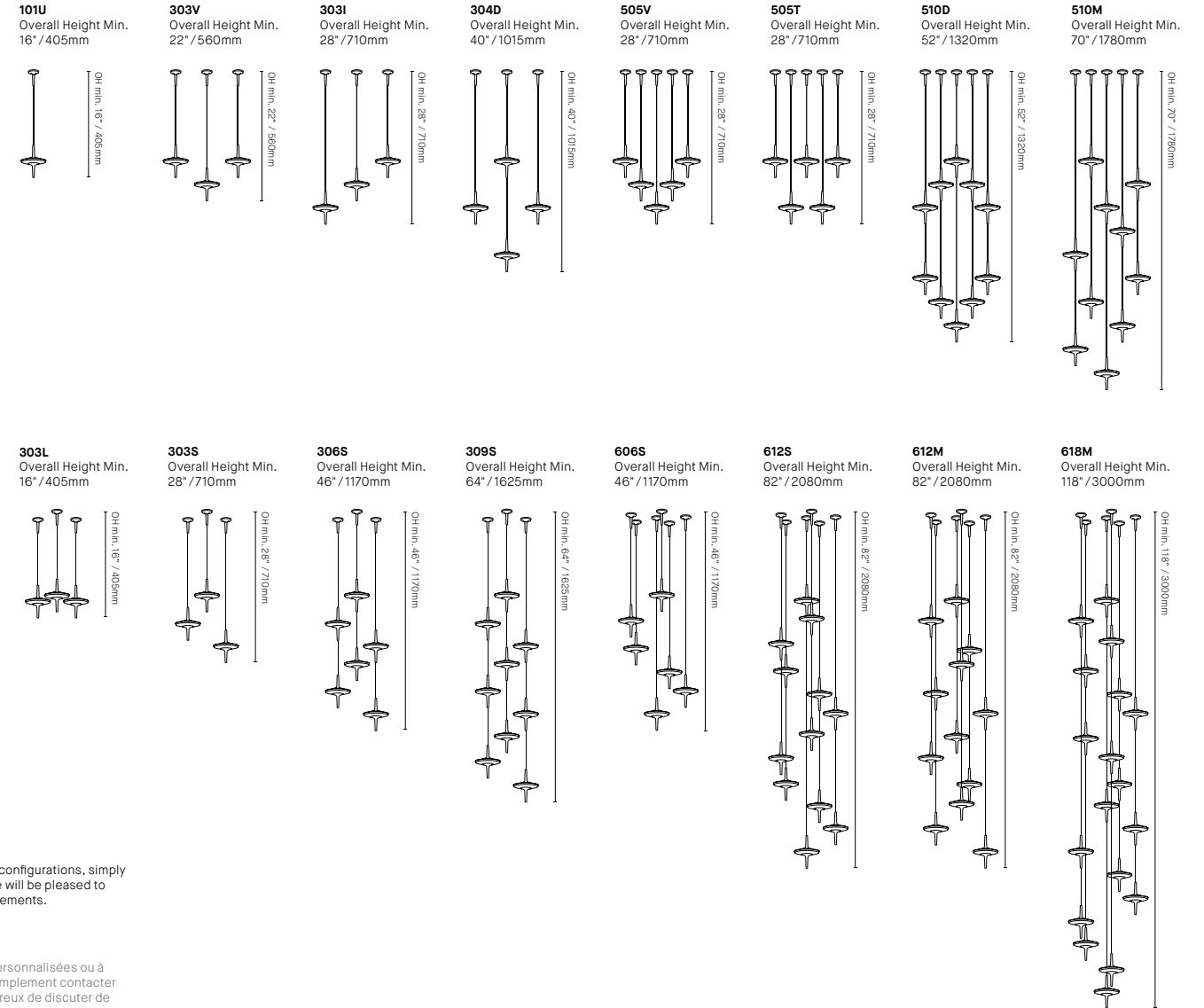
ORDERING SPECIFICATION	SÉPÉCIFICATION DE COMMANDE	CODE
<b>MODEL MODÈLE</b>		<b>2447-CEL</b>
<b>2447-CEL</b>	DROPLET CELESTE	
<b>CONFIGURATION CONFIGURATION</b>		
<b>101U</b>	SINGLE UNIT 1 CABLE, 1 HEAD MIN. HEIGHT 16"	
<b>303V</b>	V-SHAPED CLUSTER 3 CABLES, 3 HEADS MIN. HEIGHT 22"	
<b>303I</b>	INCLINED CLUSTER 3 CABLES, 3 HEADS MIN. HEIGHT 28"	
<b>304D</b>	DIAMOND CLUSTER 3 CABLES, 4 HEADS MIN. HEIGHT 40"	
<b>505V</b>	V-SHAPED CLUSTER 5 CABLES, 5 HEADS MIN. HEIGHT 28"	
<b>505T</b>	TRAPEZE CLUSTER 5 CABLES, 5 HEADS MIN. HEIGHT 28"	
<b>510D</b>	DIAMOND CLUSTER 5 CABLES, 10 HEADS MIN. HEIGHT 52"	
<b>510M</b>	MIXED CLUSTER 5 CABLES, 10 HEADS MIN. HEIGHT 70"	
<b>303L</b>	LEVELED CLUSTER 3 CABLES, 3 HEADS MIN. HEIGHT 16"	
<b>303S</b>	SPIRALED CLUSTER 3 CABLES, 3 HEADS MIN. HEIGHT 28"	
<b>306S</b>	SPIRALED CLUSTER 3 CABLES, 6 HEADS MIN. HEIGHT 46"	
<b>309S</b>	SPIRALED CLUSTER 3 CABLES, 9 HEADS MIN. HEIGHT 64"	
<b>606S</b>	SPIRALED CLUSTER 6 CABLES, 6 HEADS MIN. HEIGHT 46"	
<b>612S</b>	SPIRALED CLUSTER 6 CABLES, 12 HEADS MIN. HEIGHT 82"	
<b>612M</b>	MIXED CLUSTER 6 CABLES, 12 HEADS MIN. HEIGHT 82"	
<b>618M</b>	MIXED CLUSTER 6 CABLES, 18 HEADS MIN. HEIGHT 118"	
<b>LIGHT SOURCE SOURCE LUMINEUSE</b>		<b>LED</b>
<b>LED</b>	REGULAR OUTPUT	
<b>COLOR TEMPERATURE TEMPÉRATURE DE COULEUR</b>		
<b>27</b>	2700K	
<b>30</b>	3000K	
<b>35</b>	3500K	
<b>40</b>	4000K	
<b>COLOR RENDERING INDEX (CRI) INDICE DE RENDU DE COULEUR (IRC)</b>		<b>90</b>
<b>90</b>	90+ CRI	
<b>VOLTAGE VOLTAGE</b>		
<b>120V</b>	120 VOLT	
<b>277V</b>	277 VOLT	
<b>DIMMING OPTION OPTION DE GRADATION</b>		<b>DV</b>
<b>DV</b>	0-10V DIMMING (120V-277V)	
<b>CABLE CÂBLE</b>		<b>C</b>
<b>C</b>	BLACK CABLE, CONNECTOR MOUNTED, NOT FIELD ADJUSTABLE	
<b>OVERALL HEIGHT HAUTEUR HORS TOUT</b>		
<b>**</b>	CUSTOM OVERALL HEIGHT (PLEASE SPECIFY) OVERALL HEIGHT MEASURED FROM CEILING TO BOTTOM OF FIXTURE CONFIGURATION PATTERN IS SET, ONLY UPPER CABLES ARE INFLUENCED BY OVERALL HEIGHT PLEASE REFER TO CONFIGURATION'S MINIMUM HEIGHT FOR SPECIFICATION	
<b>CANOPY FINISH FINI PAVILLON</b>		<b>BLKE</b>
<b>BLKE</b>	BLACK FINE TEXTURE	
<b>HEAD FINISH FINI TÊTE</b>		<b>BLKE</b>
<b>BLKE</b>	BLACK FINE TEXTURE	
<b>GLASS FINISH FINI VERRE</b>		
<b>CLR</b>	CLEAR GLASS	
<b>FRO</b>	FROSTED GLASS	

## PRODUCT CHARACTERISTICS CARACTÉRISTIQUES DU PRODUIT



# DROPLET CELESTE 2447-CEL REMOTE JUNCTION BOX SYSTEM

## CONFIGURATION CONFIGURATION



## CUSTOM CONFIGURATION

For custom or large-scale configurations, simply contact the factory and we will be pleased to discuss your design requirements.

## CONFIGURATION PERSONNALISÉE

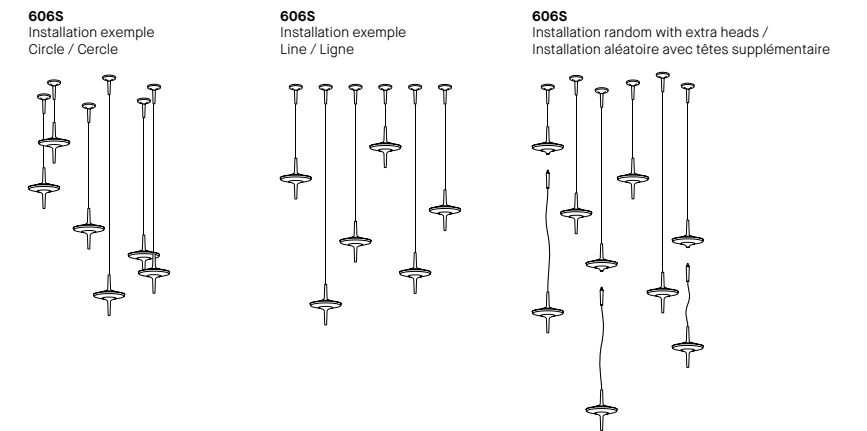
Pour des configurations personnalisées ou à grande échelle, veuillez simplement contacter l'usine et nous serons heureux de discuter de vos exigences de conception.

## INSTALL IT THE WAY YOU WANT

Every available Celeste Droplet configurations can have it's canopies installed in the ceiling pattern of your choice. It is also possible to order extra individual heads (4010-CEL) to add this extra je ne sais quoi to any existing model.

## INSTALLEZ LE COMME VOUS LE VOULEZ

Every available Celeste Droplet configurations can have it's canopies installed in the ceiling pattern of your choice. It is also possible to order extra individual heads (4010-CEL) to add this extra je ne sais quoi to any existing model.



## DROPLET CELESTE 2448-CEL DEEP JUNCTION BOX MOUNTING

PROJECT PROJET
SPEC TYPE
NOTES

### CANOPY FINISH FINI PAVILLON



BLKE

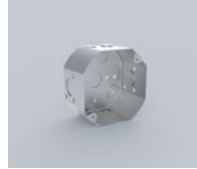
### GLASS FINISH FINI VERRE



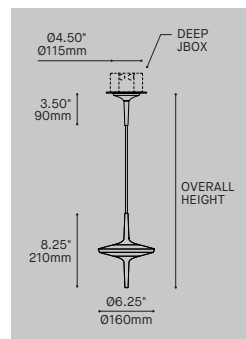
CLR

FRO

### DEEP JUNCTION BOX BOÎTE DE JONCTION PROFONDE



3983



ORDERING SPECIFICATION	SPECIFICATION DE COMMANDE	CODE
<b>MODEL</b> MODÈLE		<b>2448-CEL</b>
<b>2448-CEL</b>	DROPLET CELESTE – JUNCTION BOX MOUNTING	
<b>CONFIGURATION</b> CONFIGURATION		<b>101U</b>
<b>101U</b>	SINGLE UNIT 1 CABLE, 1 HEAD MIN. HEIGHT 16"	
<b>LIGHT SOURCE</b> SOURCE LUMINEUSE		<b>LED</b>
<b>LED</b>	REGULAR OUTPUT	
<b>COLOR TEMPERATURE</b> TEMPÉRATURE DE COULEUR		
<b>27</b>	2700K	
<b>30</b>	3000K	
<b>35</b>	3500K	
<b>40</b>	4000K	
<b>COLOR RENDERING INDEX (CRI)</b> INDICE DE RENDU DE COULEUR (IRC)		<b>90</b>
<b>90</b>	90+ CRI	
<b>VOLTAGE</b> VOLTAGE		
<b>120V</b>	120 VOLT	
<b>277V</b>	277 VOLT	
<b>CONTROL OPTION</b> OPTION DE CONTRÔLE		<b>DV</b>
<b>DV</b>	0-10V DIMMING (120V-277V)	
<b>NLTAIR2*</b>	NLIGHT AIR CONTROL GEN 2	
<b>NLIGHT*</b>	NLIGHT WIRED CONTROL * NLIGHT INTEGRATION REQUIRES A REMOTE POWER PACK (39NLAB FOR NLTAIR2 OR 39NLWB FOR NLIGHT) REFER TO NLIGHT GUIDE AND INSTALLATION SHEET FOR ALL REQUIREMENTS.	
<b>CABLE</b> CÂBLE		<b>C</b>
<b>C</b>	BLACK CABLE, CONNECTOR MOUNTED, NOT FIELD ADJUSTABLE	
<b>OVERALL HEIGHT</b> HAUTEUR HORS TOUT		
<b>**</b>	CUSTOM OVERALL HEIGHT (PLEASE SPECIFY) OVERALL HEIGHT MEASURED FROM CEILING TO BOTTOM OF FIXTURE PLEASE REFER TO CONFIGURATION'S MINIMUM HEIGHT FOR SPECIFICATION	
<b>CANOPY FINISH</b> FINI PAVILLON <sup>(A)</sup>		<b>BLKE</b>
<b>BLKE</b>	BLACK FINE TEXTURE <sup>(A)</sup> DECORATIVE PLATE FINISH IS ALWAYS WHITE	
<b>HEAD FINISH</b> FINI TÊTE		<b>BLKE</b>
<b>BLKE</b>	BLACK FINE TEXTURE	
<b>GLASS FINISH</b> FINI VERRE		
<b>CLR</b>	CLEAR GLASS	
<b>FRO</b>	FROSTED GLASS	
<b>ACCESSORY</b> ACCESSOIRE		<b>3983</b>
ALL ACCESSORIES ARE AVAILABLE FOR ADVANCE SHIPPING		
<b>3983</b>	DEEP JUNCTION BOX (PROVIDED)	
<b>39NLAA*</b>	NLIGHT AIR GEN 2 REMOTE CONTROL BOX	
<b>39NLWA*</b>	NLIGHT WIRED REMOTE CONTROL BOX * FOR CHICAGO PLENUM INSTALLATION, PLEASE CONTACT YOUR EUREKA REPRESENTATIVE.	

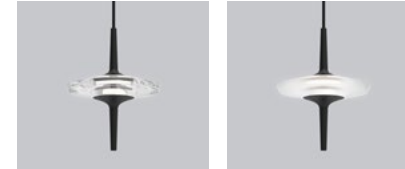
### PRODUCT CHARACTERISTICS CARACTÉRISTIQUES DU PRODUIT



## CELESTE 4010-CEL EXTRA HEAD ACCESSORY

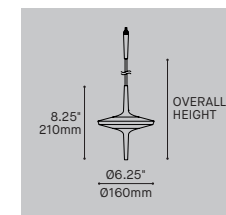
PROJECT PROJET
SPEC TYPE
NOTES

### GLASS FINISH FINI VERRE



CLR

FRO



ORDERING SPECIFICATION	SPECIFICATION DE COMMANDE	CODE
<b>MODEL</b> MODÈLE		<b>4010-CEL</b>
<b>4010-CEL*</b>	CELESTE – EXTRA HEAD * CELESTE – EXTRA HEAD IS AN ACCESSORY LIGHT MODULE USED WITH CELESTE SYSTEMS (SOLD SEPARATELY)	
<b>LIGHT SOURCE</b> SOURCE LUMINEUSE		<b>LED</b>
<b>LED</b>	REGULAR OUTPUT	
<b>COLOR TEMPERATURE</b> TEMPÉRATURE DE COULEUR		
<b>27</b>	2700K	
<b>30</b>	3000K	
<b>35</b>	3500K	
<b>40</b>	4000K	
<b>COLOR RENDERING INDEX (CRI)</b> INDICE DE RENDU DE COULEUR (IRC)		<b>90</b>
<b>90</b>	90+ CRI	
<b>CABLE</b> CÂBLE		<b>C</b>
<b>C</b>	BLACK CABLE, CONNECTOR MOUNTED, NOT FIELD ADJUSTABLE	
<b>EXTENSION LENGTH</b> LONGUEUR D'EXTENSION		
<b>**</b>	CUSTOM EXTENSION LENGTH (PLEASE SPECIFY) EXTENSION LENGTH MEASURED FROM BOTTOM OF PREVIOUS HEAD TO BOTTOM OF FIXTURE	
<b>HEAD FINISH</b> FINI TÊTE		<b>BLKE</b>
<b>BLKE</b>	BLACK FINE TEXTURE	
<b>GLASS FINISH</b> FINI VERRE		
<b>CLR</b>	CLEAR GLASS	
<b>FRO</b>	FROSTED GLASS	

### PRODUCT CHARACTERISTICS CARACTÉRISTIQUES DU PRODUIT



# ARRAY CELESTE 4425-CEL

PROJECT PROJÉT
SPEC TYPE
NOTES

## CANOPY FINISH FINI PAVILLON



BLKE

WHE

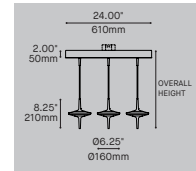
CHR

## GLASS FINISH FINI VERRE



CLR

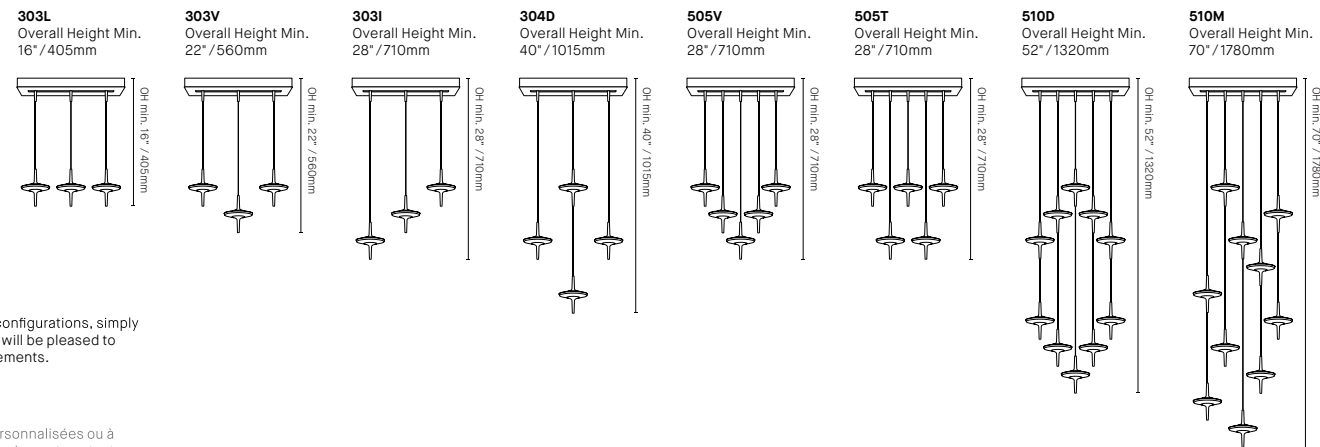
FRO



## PRODUCT CHARACTERISTICS CARACTÉRISTIQUES DU PRODUIT



## CONFIGURATION CONFIGURATION



## CUSTOM CONFIGURATION CONFIGURATION PERSONNALISÉE

For custom or large-scale configurations, simply contact the factory and we will be pleased to discuss your design requirements.

## CONFIGURATION PERSONNALISÉE

Pour des configurations personnalisées ou à grande échelle, veuillez simplement contacter l'usine et nous serons heureux de discuter de vos exigences de conception.

## ORDERING SPECIFICATION SPÉCIFICATION DE COMMANDE

MODEL MODÈLE	4425-CEL
4425-CEL	ARRAY CELESTE
CONFIGURATION CONFIGURATION	
303L	LEVELED CLUSTER 3 CABLES, 3 HEADS MIN. HEIGHT 16"
303V	V-SHAPED CLUSTER 3 CABLES, 3 HEADS MIN. HEIGHT 22"
303I	INCLINED CLUSTER 3 CABLES, 3 HEADS MIN. HEIGHT 28"
304D	DIAMOND CLUSTER 3 CABLES, 4 HEADS MIN. HEIGHT 40"
505V	V-SHAPED CLUSTER 5 CABLES, 5 HEADS MIN. HEIGHT 28"
505T	TRAPEZE CLUSTER 5 CABLES, 5 HEADS MIN. HEIGHT 28"
510D	DIAMOND CLUSTER 5 CABLES, 10 HEADS MIN. HEIGHT 52"
510M	MIXED CLUSTER 5 CABLES, 10 HEADS MIN. HEIGHT 70"

LIGHT SOURCE SOURCE LUMINEUSE	LED
LED	REGULAR OUTPUT

COLOR TEMPERATURE TEMPÉRATURE DE COULEUR	
27	2700K
30	3000K
35	3500K
40	4000K

COLOR RENDERING INDEX (CRI) INDICE DE RENDU DE COULEUR (IRC)	90
90	90+ CRI

VOLTAGE VOLTAGE	
120V	120 VOLT
277V	277 VOLT

CONTROL OPTION OPTION DE CONTRÔLE	DV
DV	0-10V DIMMING (120V-277V)
NLTAIR2*	NLIGHT AIR CONTROL GEN 2
NLIGHT*	NLIGHT WIRED CONTROL
	*NLIGHT INTEGRATION REQUIRES A REMOTE POWER PACK (39NLAB FOR NLTAIR2 OR 39NLWB FOR NLIGHT) REFER TO NLIGHT GUIDE AND INSTALLATION SHEET FOR ALL REQUIREMENTS.

CABLE CÂBLE	C
C	BLACK CABLE, CONNECTOR MOUNTED, NOT FIELD ADJUSTABLE

OVERALL HEIGHT HAUTEUR HORS TOUT	**
**	CUSTOM OVERALL HEIGHT (PLEASE SPECIFY) OVERALL HEIGHT MEASURED FROM CEILING TO BOTTOM OF FIXTURE CONFIGURATION PATTERN IS SET, ONLY UPPER CABLES ARE INFLUENCED BY OVERALL HEIGHT PLEASE REFER TO CONFIGURATION'S MINIMUM HEIGHT FOR SPECIFICATION

CANOPY FINISH FINI PAVILLON	
BLKE	BLACK FINE TEXTURE
WHE	WHITE FINE TEXTURE
CHR	CHROME

HEAD FINISH FINI TÊTE	BLKE
BLKE	BLACK FINE TEXTURE

GLASS FINISH FINI VERRE	
CLR	CLEAR GLASS
FRO	FROSTED GLASS

ACCESSORY ACCESSOIRE	
	ALL ACCESSORIES ARE AVAILABLE FOR ADVANCE SHIPPING
39NLAB*	NLIGHT AIR GEN 2 REMOTE CONTROL BOX
39NLWB*	NLIGHT WIRED REMOTE CONTROL BOX
	*FOR CHICAGO PLENUM INSTALLATION, PLEASE CONTACT YOUR EUREKA REPRESENTATIVE.

# DROP CELESTE 4427-CEL

PROJECT PROJÉT
SPEC TYPE
NOTES

## CANOPY FINISH FINI PAVILLON



BLKE

WHE

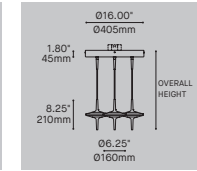
CHR

## GLASS FINISH FINI VERRE



CLR

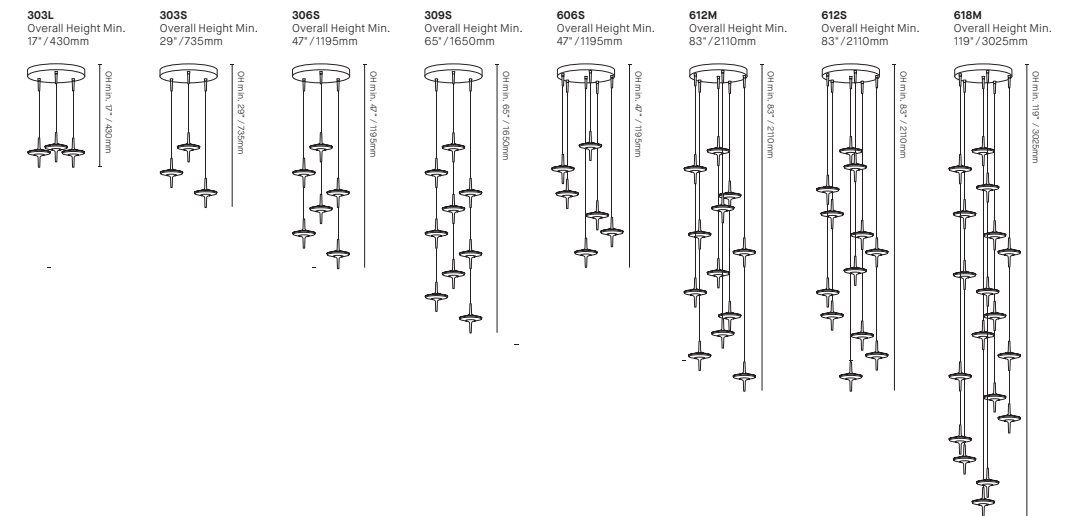
FRO



## PRODUCT CHARACTERISTICS CARACTÉRISTIQUES DU PRODUIT



## CONFIGURATION CONFIGURATION



## CUSTOM CONFIGURATION CONFIGURATION PERSONNALISÉE

For custom or large-scale configurations, simply contact the factory and we will be pleased to discuss your design requirements.

## CONFIGURATION PERSONNALISÉE

Pour des configurations personnalisées ou à grande échelle, veuillez simplement contacter l'usine et nous serons heureux de discuter de vos exigences de conception.

## ORDERING SPECIFICATION SPÉCIFICATION DE COMMANDE

MODEL MODÈLE	4427-CEL
4427-CEL	DROP CELESTE
CONFIGURATION CONFIGURATION	
303L	LEVELED CLUSTER 3 CABLES, 3 HEADS MIN. HEIGHT 17"
303S	SPIRALED CLUSTER 3 CABLES, 3 HEADS MIN. HEIGHT 29"
306S	SPIRALED CLUSTER 3 CABLES, 6 HEADS MIN. HEIGHT 47"
309S	SPIRALED CLUSTER 3 CABLES, 9 HEADS MIN. HEIGHT 65"
606S	SPIRALED CLUSTER 6 CABLES, 6 HEADS MIN. HEIGHT 47"
612S	SPIRALED CLUSTER 6 CABLES, 12 HEADS MIN. HEIGHT 83"
612M	MIXED CLUSTER 6 CABLES, 12 HEADS MIN. HEIGHT 83"
618M	MIXED CLUSTER 6 CABLES, 18 HEADS MIN. HEIGHT 119"

LIGHT SOURCE SOURCE LUMINEUSE	LED
LED	REGULAR OUTPUT

COLOR TEMPERATURE TEMPÉRATURE DE COULEUR	
27	2700K
30	3000K
35	3500K
40	4000K

COLOR RENDERING INDEX (CRI) INDICE DE RENDU DE COULEUR (IRC)	90
90	90+ CRI

VOLTAGE VOLTAGE	
120V	120 VOLT
277V	277 VOLT

CONTROL OPTION OPTION DE CONTRÔLE	DV
DV	0-10V DIMMING (120V-277V)
NLTAIR2*	NLIGHT AIR CONTROL GEN 2
NLIGHT*	NLIGHT WIRED CONTROL
	*NLIGHT INTEGRATION REQUIRES A REMOTE POWER PACK (39NLAB FOR NLTAIR2 OR 39NLWB FOR NLIGHT) REFER TO NLIGHT GUIDE AND INSTALLATION SHEET FOR ALL REQUIREMENTS.

CABLE CÂBLE	C
C	BLACK CABLE, CONNECTOR MOUNTED, NOT FIELD ADJUSTABLE

OVERALL HEIGHT HAUTEUR HORS TOUT	**
**	CUSTOM OVERALL HEIGHT (PLEASE SPECIFY) OVERALL HEIGHT MEASURED FROM CEILING TO BOTTOM OF FIXTURE CONFIGURATION PATTERN IS SET, ONLY UPPER CABLES ARE INFLUENCED BY OVERALL HEIGHT PLEASE REFER TO CONFIGURATION'S MINIMUM HEIGHT FOR SPECIFICATION

CANOPY FINISH FINI PAVILLON	
BLKE	BLACK FINE TEXTURE
WHE	WHITE FINE TEXTURE
CHR	CHROME

HEAD FINISH FINI TÊTE	BLKE
BLKE	BLACK FINE TEXTURE

GLASS FINISH FINI VERRE	
CLR	CLEAR GLASS
FRO	FROSTED GLASS

ACCESSORY ACCESSOIRE	
	ALL ACCESSORIES ARE AVAILABLE FOR ADVANCE SHIPPING
39NLAB*	NLIGHT AIR GEN 2 REMOTE CONTROL BOX
39NLWB*	NLIGHT WIRED REMOTE CONTROL BOX
	*FOR CHICAGO PLENUM INSTALLATION, PLEASE CONTACT YOUR EUREKA REPRESENTATIVE.

